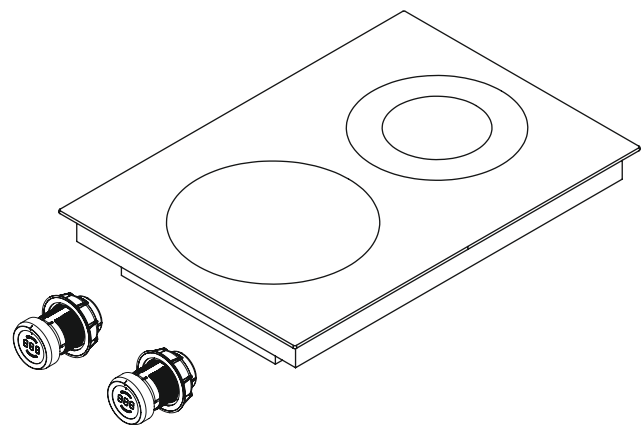
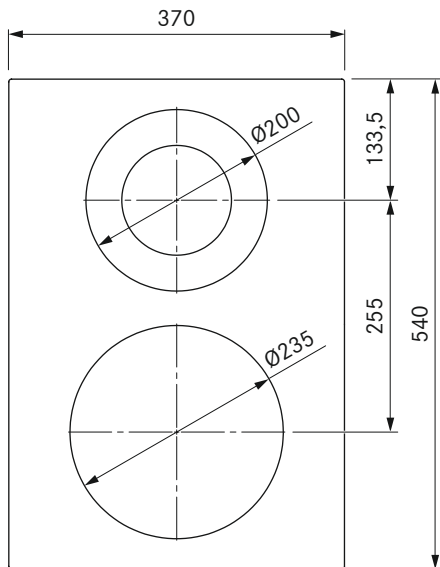
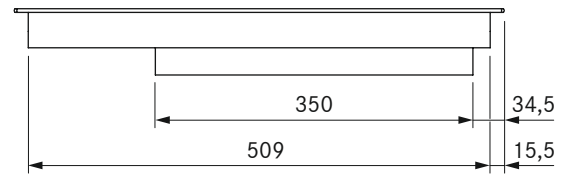
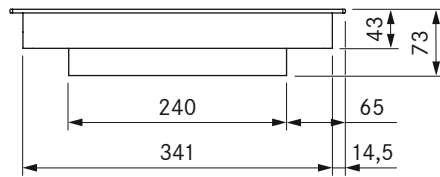


BORA Hyper glass ceramic cooktop with 2 cooking zones: 1-ring/2-ring



Technical data

Supply voltage	380 - 415 V 2 N
Frequency	50/60 Hz
Maximum power consumption	5.1 kW
Maximum power rating	5.1 kW
Minimum fuse protection	2 x 16 A
Power levels	1 - 9, (Switching 2-ring/Hyper)
Weight (incl. accessories/package)	9.1 kg
Surface material	SCHOTT CERAN®
Power supply cable	1.5 m
Dimensions (WxDxH)	370 x 540 x 73 mm
Front cooking zone size	Ø 235 mm
Front cooking zone power	2100 W
Front cooking zone power setting	3200 W
Number of front cooking zone rings	1
Rear cooking zone size	Ø 120/200 mm
Rear cooking zone power	800/1900 W
Number of rear cooking zone rings	2

Product description

- Hyper glass ceramic cooktop with Hyper/2-ring
- Save time with shorter heating times on the front cooking zone
- Residual heat display
- Childproofing feature
- Demo mode
- Can be mounted rotated around 180°
- Configuration menu
- Timer function
- Safety shut-down
- Automatic heat-up function
- Digital power display on the control knob
- Pause function
- Warming function

Scope of delivery

- Hyper glass ceramic cooktop PKCH2
- 2 x control knob
- Mounting straps
- Glass ceramic scraper
- Height adjustment plate set
- Operating and installation instructions
- 2 x connection cable control knob
- Connection cable for the extractor
- Power supply cable (L1, L2, N, PE)